

EMM μ D3VA | μ 3VA | R3VA

DIGITAL MEASURING INSTRUMENTS - **VOLTMETER / AMMETER**

Voltage and current measures in True RMS

Storage of minimum, maximum and average(max demand) values

Connection by external CT

Measure in medium voltage by programming the voltage transformer (VT) ratio



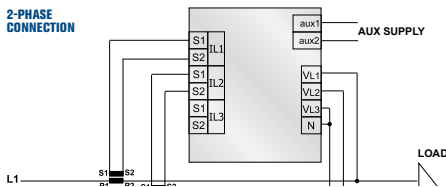
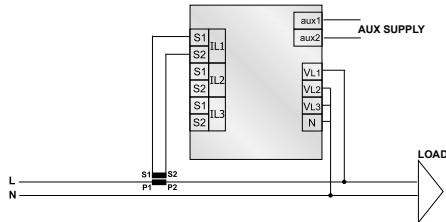
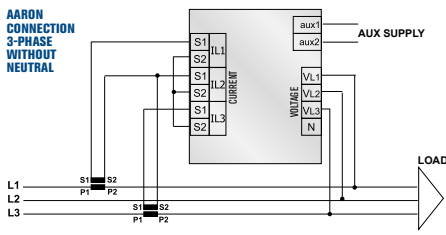
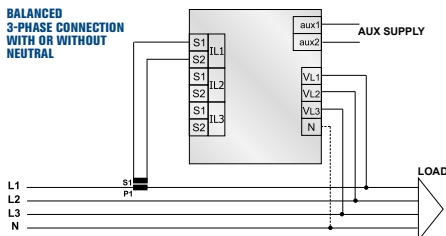
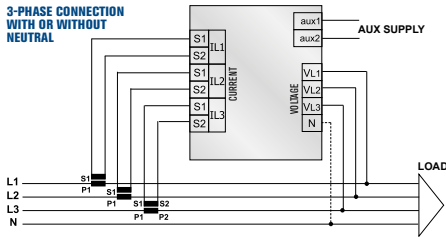
TECHNICAL CHARACTERISTICS	EMM- μ D3VA	EMM- μ 3VA	EMM-R3VA
AUXILIARY SUPPLY			
Nominal voltage U_s	230VAC	400VAC	400VAC
Operating voltage range	$\pm 15\%$	$\pm 15\%$	$\pm 15\%$
Power consumption	3VA	3VA	3VA
Frequency	50 – 60 Hz	45 – 65 Hz	45 – 65 Hz
VOLTAGE INPUTS			
Measurement range	20...500VAC L-L (20...380VAC L-N)	300...500VAC L-L (175...290VAC L-N)	300...500VAC L-L (175...290VAC L-N)
Method of measuring	True RMS value	True RMS value	True RMS value
Measuring input impedance	1M Ω	1M Ω	1M Ω
Method of connection	Single-phase, two-phase, three-phase orbanced three-phase system	Single-phase, two-phase, three-phase orbanced three-phase system	Single-phase, two-phase, three-phase orbanced three-phase system
CURRENT INPUTS			
Reference current	1A (option) or 5A	1A (option) or 5A	1A (option) or 5A
Measurement range	0,02...5A	0,02...5A	0,02...5A
Method of measuring	True RMS value	True RMS value	True RMS value
Overload capacity	+50% by an external current transformer	+30% by an external current transformer	+30% by an external current transformer
Self-consumption	< 0,5VA	< 0,5VA	< 0,5VA
ACCURACY			
Measures	Voltage	0,5%	0,5%
	Current	0,5%	0,5%
	Frequency	0,5%	0,5%
INSULATION			
Insulation voltage	3kVAC for 1 minute	3kVAC for 1 minute	3kVAC for 1 minute
AMBIENT CONDITION			
Storage temperature	-10...+60°C	-10...+60°C	-10...+60°C
Storage temperature	-25...+70°C	-25...+70°C	-25...+70°C
HOUSING			
Version	3 modules (DIN 50022)	Flush mount 72 x 72 mm	Flush mount 96 x 96 mm
Degree of protection	IP42 on front IP20 Housing and terminals	IP52 on front IP20 Housing and terminals	IP52 on front IP20 Housing and terminals
Weight	400g	500g	500g
CERTIFICATIONS AND COMPLIANCE			
Reference standards	IEC/EN 50081-2, IEC/EN 61000-6-2, IEC/EN 61010-1		

EMM μ D3VA | μ 3VA | R3VA

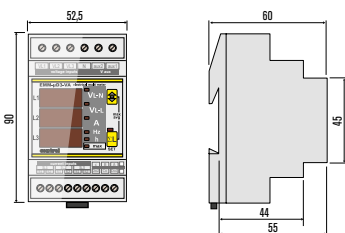
DIGITAL MEASURING INSTRUMENTS - **VOLTMETER / AMMETER**

OPTIONS	
ORDER CODE	DESCRIPTION
C1	Auxiliary Supply 230 V
C2	Auxiliary Supply 115 V
1A	Rated current inputs by external CT 1A
T	Internal current inputs, galvanically insulated
P	2 digital outputs

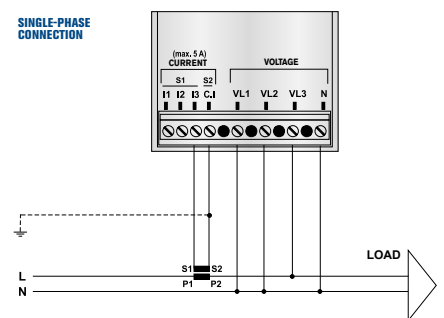
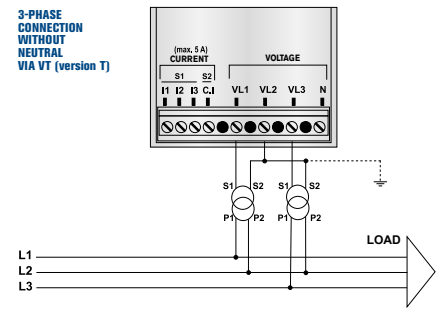
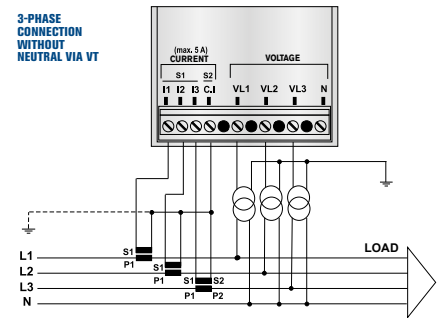
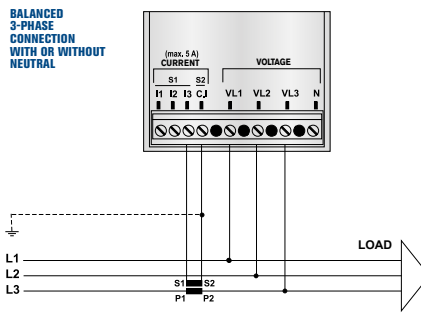
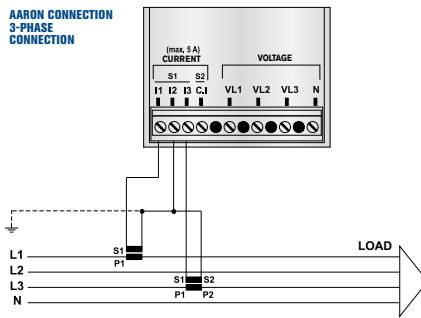
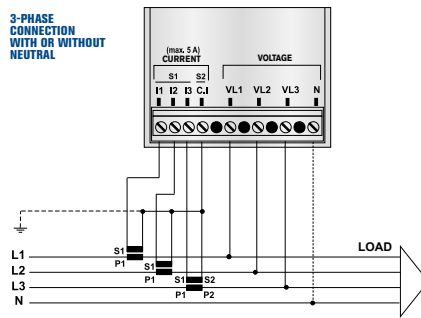
WIRING DIAGRAMS EMM- μ D3VA



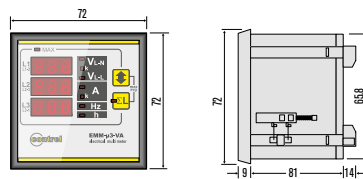
MECHANICAL DIMENSIONS EMM- μ D3VA



WIRING DIAGRAMS EMM- μ 3VA e EMM-R3VA



MECHANICAL DIMENSIONS EMM- μ 3VA



MECHANICAL DIMENSIONS EMM-R3VA

