

# EMM D4h | $\mu$ D3h

DIGITAL MEASURING INSTRUMENTS

MODULAR LED  
MULTIMETERS



TECHNICAL CHARACTERISTICS		EMM-D4h	EMM- $\mu$ D3h
<b>AUXILIARY SUPPLY</b>			
Nominal voltage Us		110 - 230 - 400 VAC	230VAC
Operating voltage range		$\pm 15\%$	$\pm 15\%$
Power consumption		4VA	4VA
Frequency		50 - 60 Hz	50 - 60 Hz
<b>VOLTAGE INPUTS</b>			
Measurement range		20...500VAC L-L (20...290VAC L-N)	20...500VAC L-L (20...290VAC L-N)
Method of measuring		True RMS value	True RMS value
Measuring input impedance		1M $\Omega$	1M $\Omega$
Method of connection		Single-phase, two-phase, three-phase or balanced three-phase system	Single-phase, two-phase, three-phase or balanced three-phase system
<b>CURRENT INPUTS</b>			
Reference current		1A (option) or 5A	1A (option) or 5A
Measurement range		0,02...5A	0,02...5A
Method of measuring		True RMS value	True RMS value
Overload capacity		+30% by an external current transformer	+30% by an external current transformer
Self-consumption		< 0,5VA	< 0,5VA
<b>ACCURACY</b>			
Measures	Voltage	0,5%	0,5%
	Current	0,5%	0,5%
	Power	1 %	1 %
	Frequency	0,5%	0,5%
	Active energy	Class 1	Class 1
<b>INSULATION</b>			
Insulation voltage		3kVAC for 1 minute	3kVAC for 1 minute
<b>AMBIENT CONDITION</b>			
Operating temperature		-10...+60°C	-10...+60°C
Storage temperature		-25...+80°C	-25...+80°C
<b>HOUSING</b>			
Version		6 modules	3 modules
Degree of protection		IP52 on front IP20 Housing and terminals	IP52 on front IP20 Housing and terminals
Weight		500g	300g
<b>CERTIFICATIONS AND COMPLIANCE</b>			
Reference standards		IEC/EN 50081-2, IEC/EN 61000-6-2, IEC/EN 61010-1, IEC/EN 61036-1	
<b>OPTIONS</b>			
ORDER CODE	DESCRIPTION		
C1	Auxiliary supply 20÷60 VAC/DC (version EMM-D4h) - Auxiliary supply 400 VAC (versions EMM- $\mu$ D3h)		
C2	Auxiliary supply 90÷250 VAC/DC (version EMM-D4h) - Auxiliary supply 110 VAC (versions EMM- $\mu$ D3h)		
1A	Rated current inputs by external CT 1A		
T	Internal current inputs, galvanically insulated (version EMM-D4h)		
TT - TTA	Current inputs by miniaturized closed CT (TT) or openable CT (TTA)		
N	Neutral current input or differential current input (version EMM-D4h)		

# EMM D4h | $\mu$ D3h

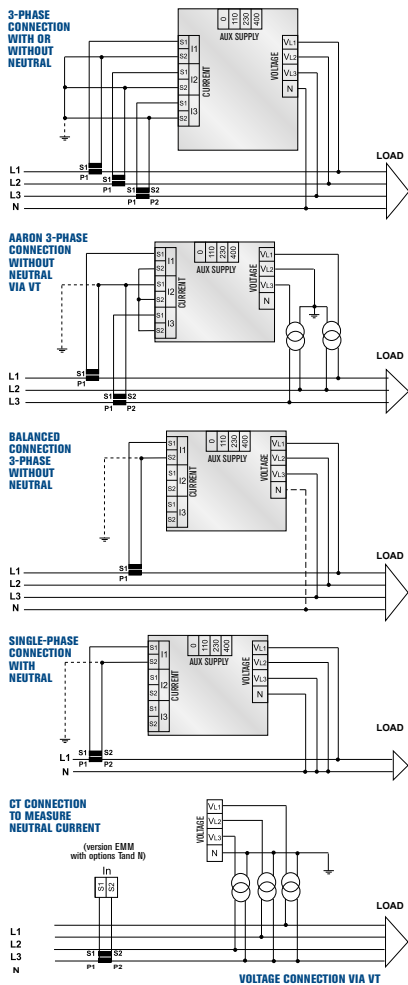
DIGITAL MEASURING INSTRUMENTS - MODULAR LED MULTIMETERS

OPTIONS	
ORDER CODE	DESCRIPTION
<b>M</b>	Import/Export energy counters
<b>P</b>	2 digital outputs
<b>DI</b>	1 digital inputs (version EMM-D4h)
<b>A</b>	1 analog output (version EMM-D4h)

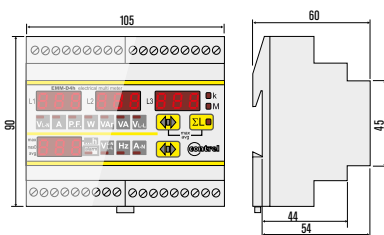
  

COMMUNICATION PORTS	
<b>485</b>	RS485 serial interface
<b>ETH</b>	1 digital inputs (version EMM-D4h)
<b>LON</b>	1 analog output (version EMM-D4h)

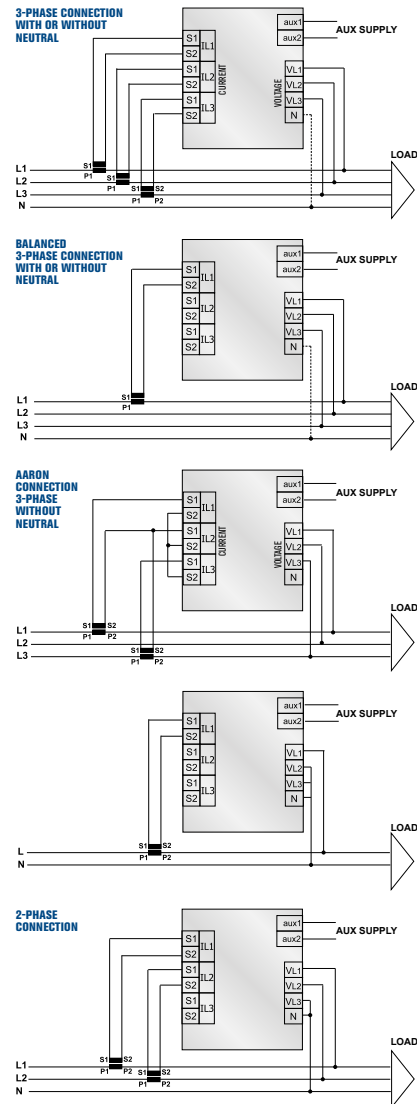
## WIRING DIAGRAMS EMM-D4h



## MECHANICAL DIMENSIONS EMM-D4h



## WIRING DIAGRAMS EMM- $\mu$ D3h



## MECHANICAL DIMENSIONS EMM- $\mu$ D3h

