

EMM 4dc | 4d2c

DIGITAL MEASURING INSTRUMENTS
FLUSH MOUNT
LED MULTIMETERS
FOR DC NETWORKS



TECHNICAL CHARACTERISTICS		EMM-4dc	EMM-4d2c
AUXILIARY SUPPLY			
Nominal voltage Us		110 - 230 - 380 VAC	110 - 230 - 380 VAC
Operating voltage range		±10%	±10%
Power consumption		4VA	4VA
Frequency		50 - 60 Hz	50 - 60 Hz
VOLTAGE INPUTS			
Measurement range		5...200 VDC	5...200 VDC
Measuring input impedance		1 MΩ	1 MΩ
Method of connection		Line with a common negative voltage and the second shunt inputs Line with a negative common voltage and shunt 1 entrance Line with positive common voltage and 2 shunt inputs Line with only shunt inputs Line for only voltage input	
CURRENT INPUTS			
Connection type		Through SHUNT / HALL sensor (option)	Through SHUNT / HALL sensor (option)
Shunt range		1...60mV 1...150mV (option)	1...60mV 1...150mV (option)
ACCURACY			
Measures	Voltage	Class 0,5 ± 1 digit	Class 0,5 ± 1 digit
	Current	Class 0,5 ± 1 digit	Class 0,5 ± 1 digit
	Power	Class 1 da ± 1 digit	Class 1 da ± 1 digit
	Active energy	Class 1	Class 1
INSULATION			
Insulation voltage		3kVAC for 1 minute	3kVAC for 1 minute
AMBIENT CONDITION			
Operating temperature		-10...+60°C	-10...+60°C
Storage temperature		-25...+80°C	-25...+80°C
HOUSING			
Version		Flush mount 96 x 96 mm	Flush mount 96 x 96 mm
Degree of protection		IP52 on front IP20 Housing and terminals	IP52 on front IP20 Housing and terminals
Weight		500g	500g
CERTIFICATIONS AND COMPLIANCE			
Reference standards		EN 61010-1	EN 61010-1

OPTIONS	
ORDER CODE	DESCRIPTION
C1	Auxiliary supply 20÷60 VAC/VCC
C2	Auxiliary supply 90÷250 VAC/VCC
P	2 digital outputs
DI	1 digital input
HE	Input current Hall sensor
PT100	Temperature input PT100 sensor (version EMM-4d2c)
COMMUNICATION PORTS	
485	RS485 serial interface

EMM 4dc | 4d2c

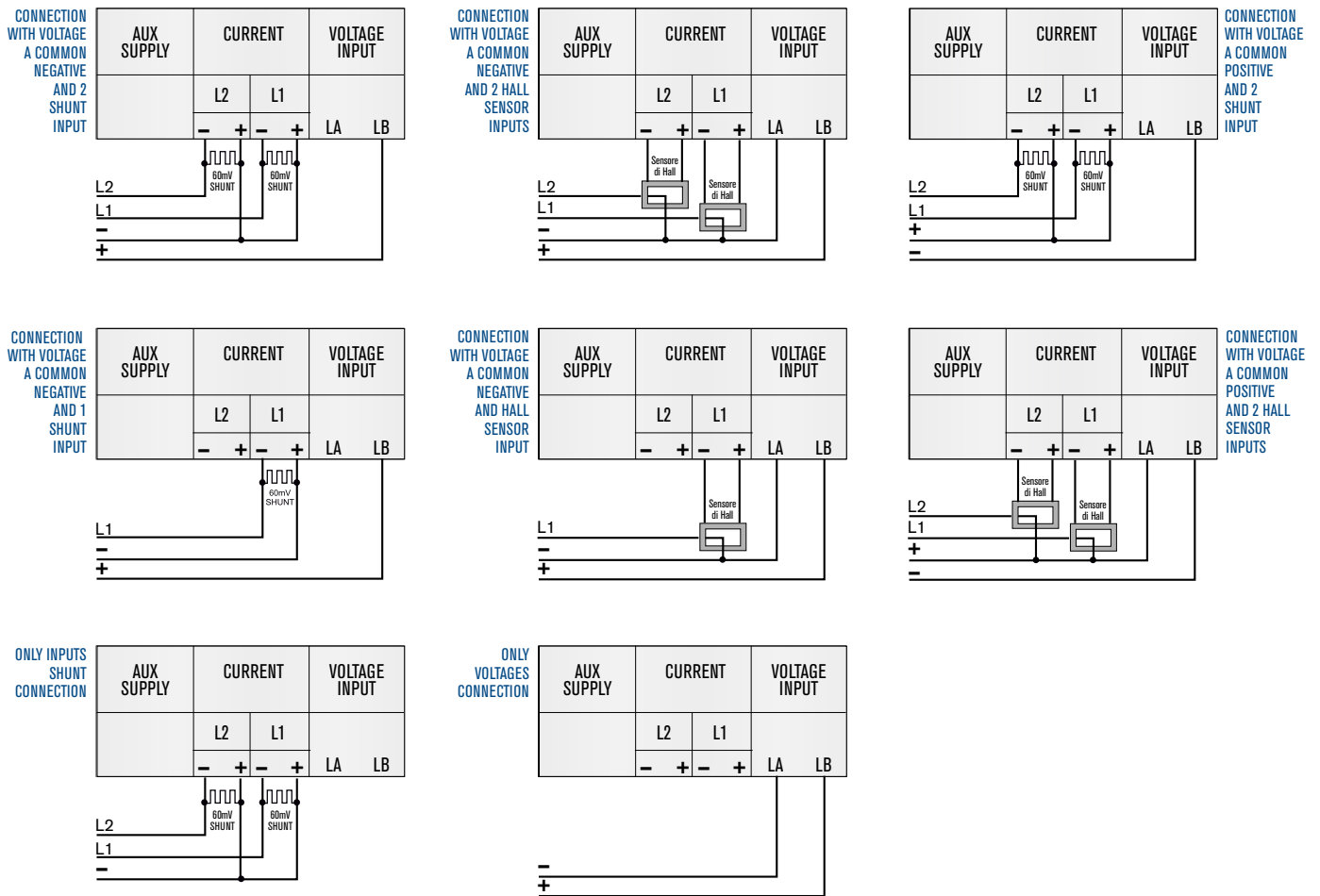
DIGITAL MEASURING INSTRUMENTS

FLUSH MOUNT LED MULTIMETERS FOR DC NETWORKS

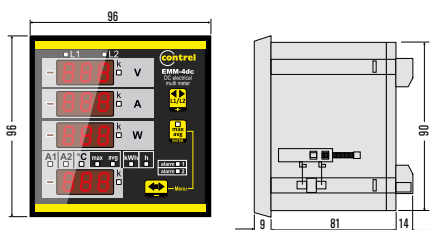
	EMM-4dc				EMM-4d2c			
	IST	MAX	AVG	MD	IST	MAX	AVG	MD
Voltage	•	•	•	-	•	•	-	-
Current	•	•	•	•	•	•	•	•
Active power	•	•	•	•	-	-	-	-
Active energy counter	TOTAL / PARTIAL				-			
Temperature			•		•	•	-	-
Hour counter			•				•	

IST = Instantaneous value / MAX = Highest peak of the instantaneous value / AVG = Time-integrated value / MD = Maximum peak of the integrated value (max demand)

WIRING DIAGRAMS



MECHANICAL DIMENSIONS EMM-4dc



MECHANICAL DIMENSIONS EMM-4d2c

